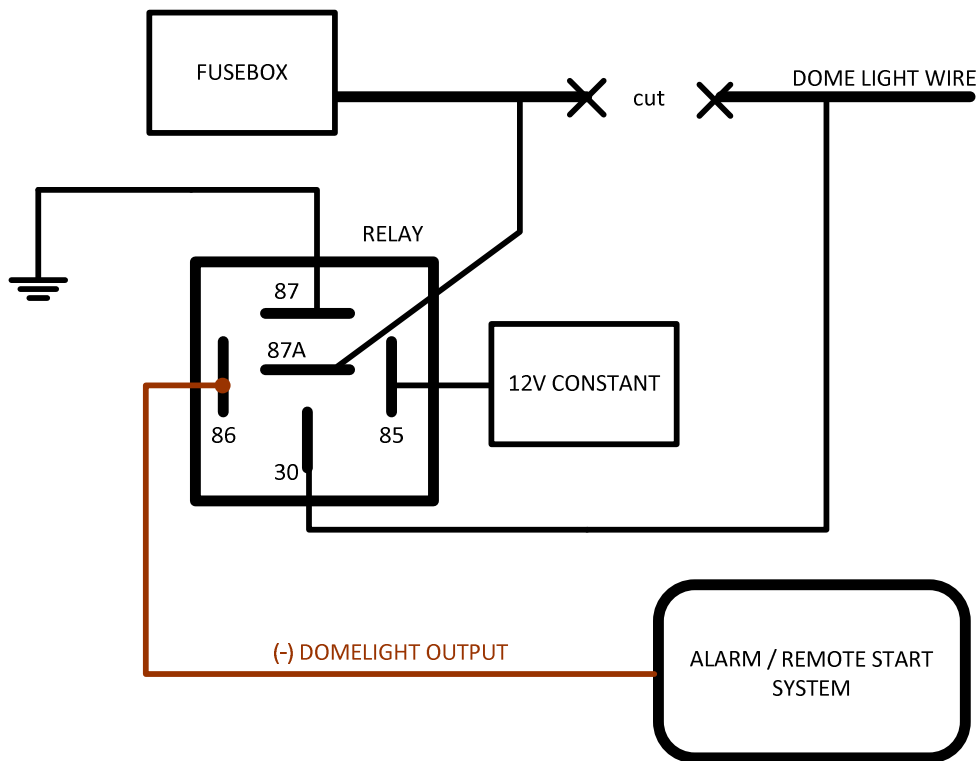


DOMELIGHT SUPERVISION IN 93-97 COROLLA AND PRISM

- ▶ When adding dome light supervision on 93-97 Toyota Corollas and Geo Prizms, use the door trigger wire and relay isolate the door trigger wire to keep ground from entering the fuse box side of the wire or unlock will not function properly. Use a relay as shown:



PIN	CONNECTION
85	TO 12V CONSTANT
86	TO (-) DOME LIGHT OUTPUT FROM ALARM/REMOTE START SYSTEM
87	TO CHASSIS GROUND
87A	TO DOME LIGHT WIRE – FUSE BOX SIDE
30	TO DOME LIGHT WIRE – LIGHT SIDE